

# ASABA M Motor Driven Studio Stand

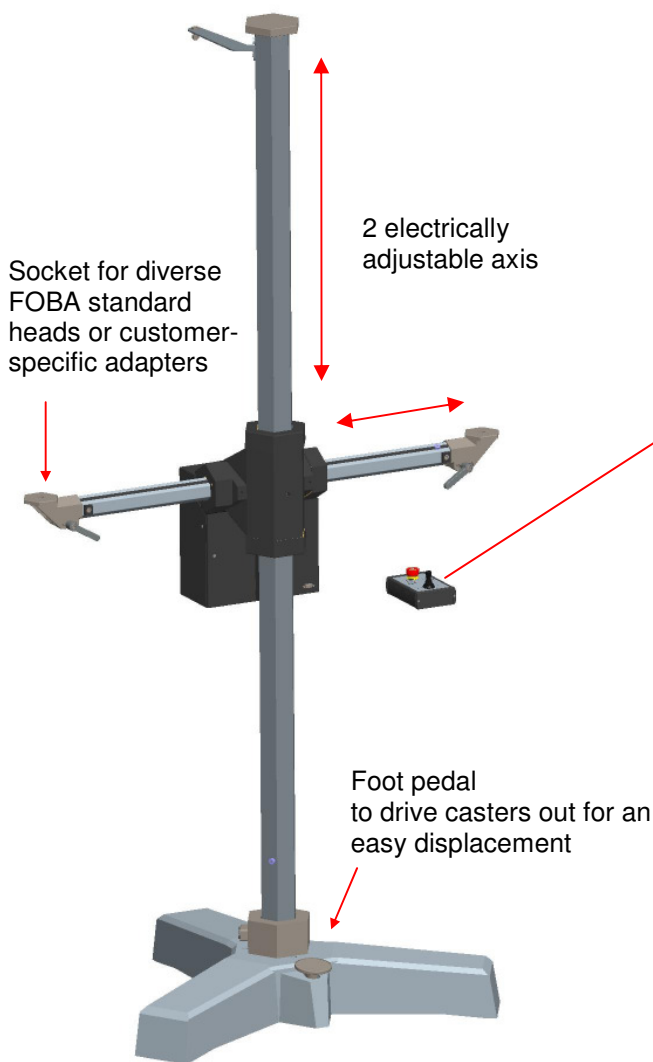
# NEW!

# FOBA® STUDIO-TECHNOLOGY

The studio stands from FOBA are widespread among the optical measurement industry world-wide. Many well-known industrial companies from the automotive, aircraft or the mechanical industry as well as internationally acknowledged public university laboratories use FOBA's studio stands daily for quality control, process control and development.

The need for automatization is also growing in the optical measurement industry. Besides robots, only rarely used for financial reasons, there are barely any simple, serial produced stands for the automatic positioning of sensors in the measurement industry. With FOBA's ASABA M, the motor driven version of the well-proven ASABA, the position can now be adjusted electrically and automatized in two axes.

The ASABA M is delivered with a manual control unit and possesses also a computer interface. It can be operated manually straight away and later on also with the computer, thanks to the specific software which is developed with help of users.



### Handy control unit:

- Joystick: vertical and horizontal movements
- Own vertical and horizontal speed control
- EMERGENCY BUTTON



### Following features of FOBA's studio stands are appreciated by users from the optical measurement industry:

- Precise
- Sturdy
- Stable
- Great variety of accessories
- Easy to use
- Low-maintenance and durable

### Technical Data:

- 230 V or 110 V
- Horizontal beam holds up to 20 kg
- Operated by manual control unit or computer

Subject to technical changes 04/11

Made in Switzerland  
Made by **FOBA®**